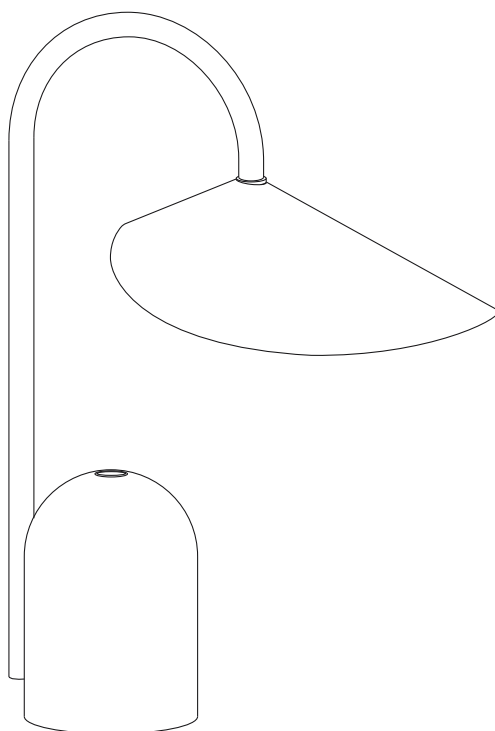


Arum Portable Lamp

Assembly manual



**FERM
LIVING**

General Instructions

Please read before installation

Warning:

The safety of this product can only be guaranteed if the following instructions are observed during both installation and use. Please retain these instructions safely after installation.

Please observe the following guidelines:

- Ensure that the power supply has been switched off prior to installation or removal of the product.
- Never undertake an electrical installation without the proper knowledge or training. If not familiar with electrical wiring, contact a qualified electrician.
- The product may in no way be modified or tampered with. Any modification may compromise safety and make the product itself dangerous to use. FERM LIVING does not accept any responsibility for products that have been modified.
- The light source contained in this luminaire shall only be replaced by the manufacturer or his service agent or a similar qualified person.
- Please charge the battery before initial use.
- The lamp is not intended for permanent connection to the power supply. Disconnect the charger once the battery is fully charged

Cleaning instructions:

- Use only a soft cloth to clean the product. Dampen the cloth with water and soap or a mild cleanser if needed.

More information:

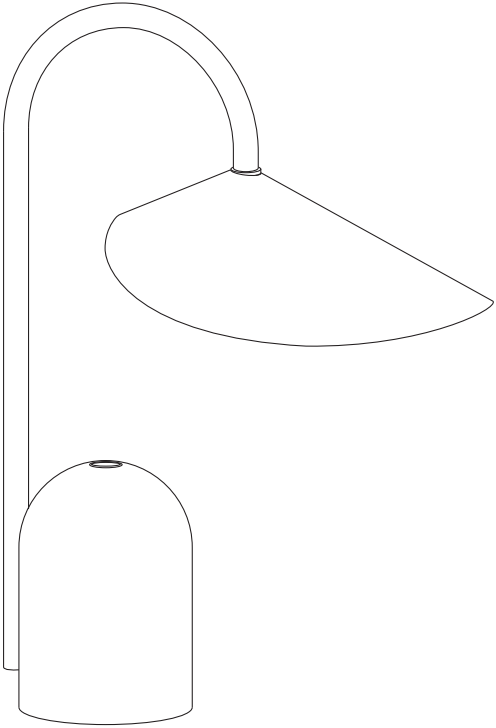
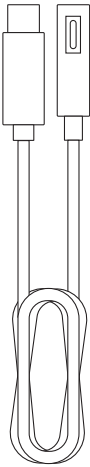
To access further information such as product overview and material descriptions, please visit our website at www.fermliving.com. If you have any questions or comments, please do not hesitate to contact us at info@fermliving.com.

Technical Specifications

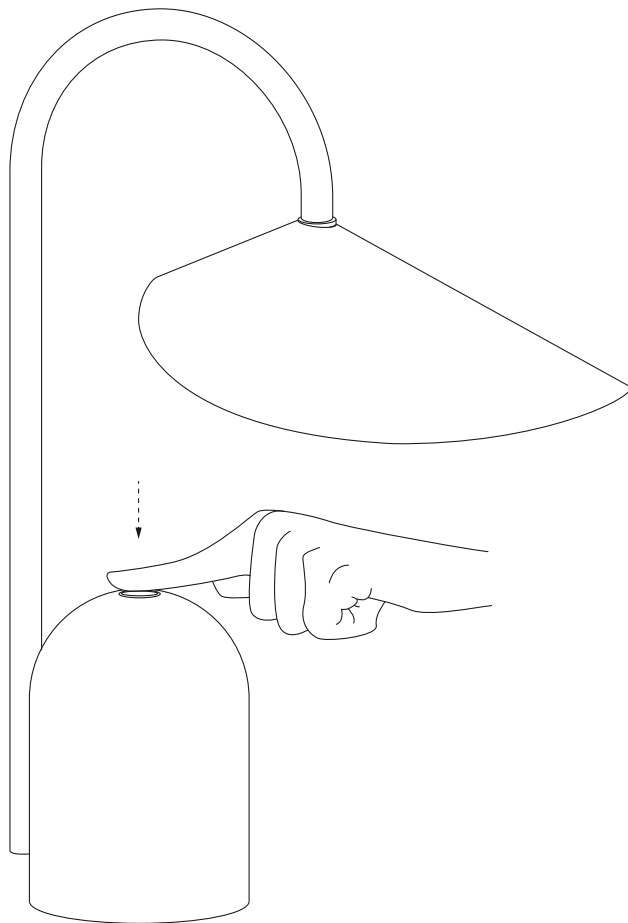
Arum Portable Lamp

Wattage:	3W
Voltage:	5V DC
Dimmable:	3 steps dimming
LED light:	
CCT:	2700K
CRI:	>90
Lumen:	350LM
Expected service life:	50.000 Hours
Battery:	
Capacity:	4400mAh
Charging:	6-8 Hours
Discharging:	8-24 Hours
Battery:	2 Pcs
Battery weight:	90g
Battery type:	Lithium-Iron Battery 185650
Power:	16.28 WH
Life:	80% Capacity after 500 times charging
Cable & Charger requirements:	
Cable:	1,8m length. USB C
Recommended charger:	5V DC/1A or 5V DC/2A, (NOT INCLUDED).
Light source:	Non removable dimmable LED
Ingress Protection:	IP44
Electrical Protection Class:	Class III
Certification:	CE, CB, UKCA, RoHs
Replaceable Battery:	1104274298

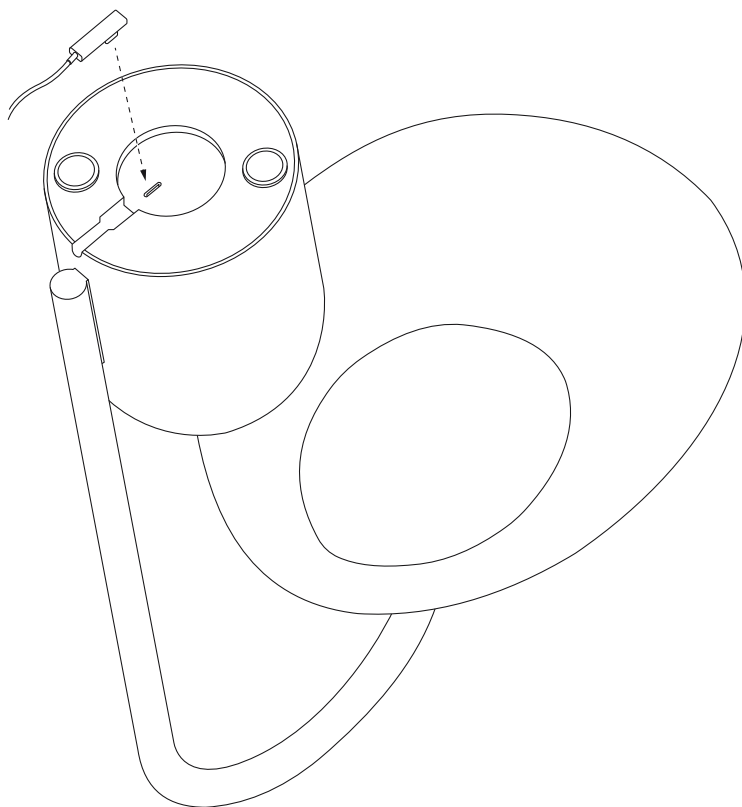
Box Content



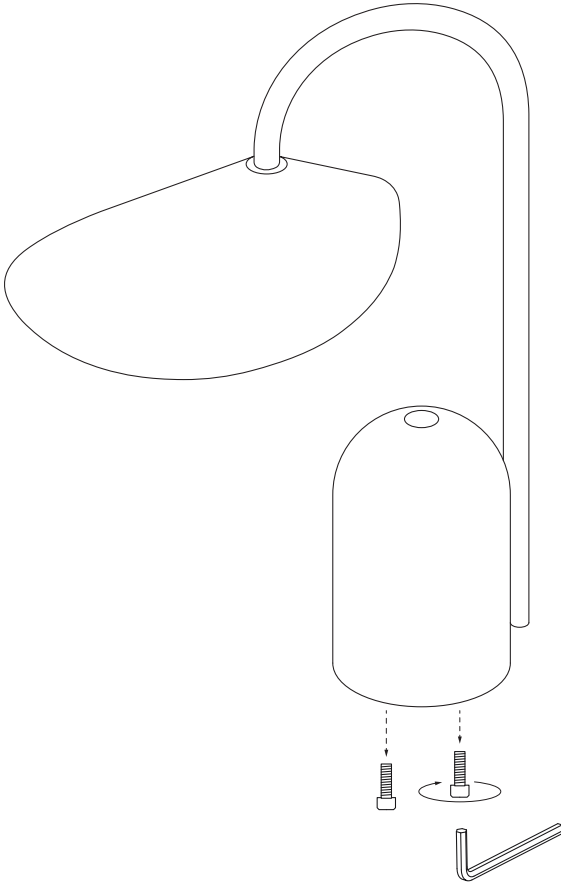
01



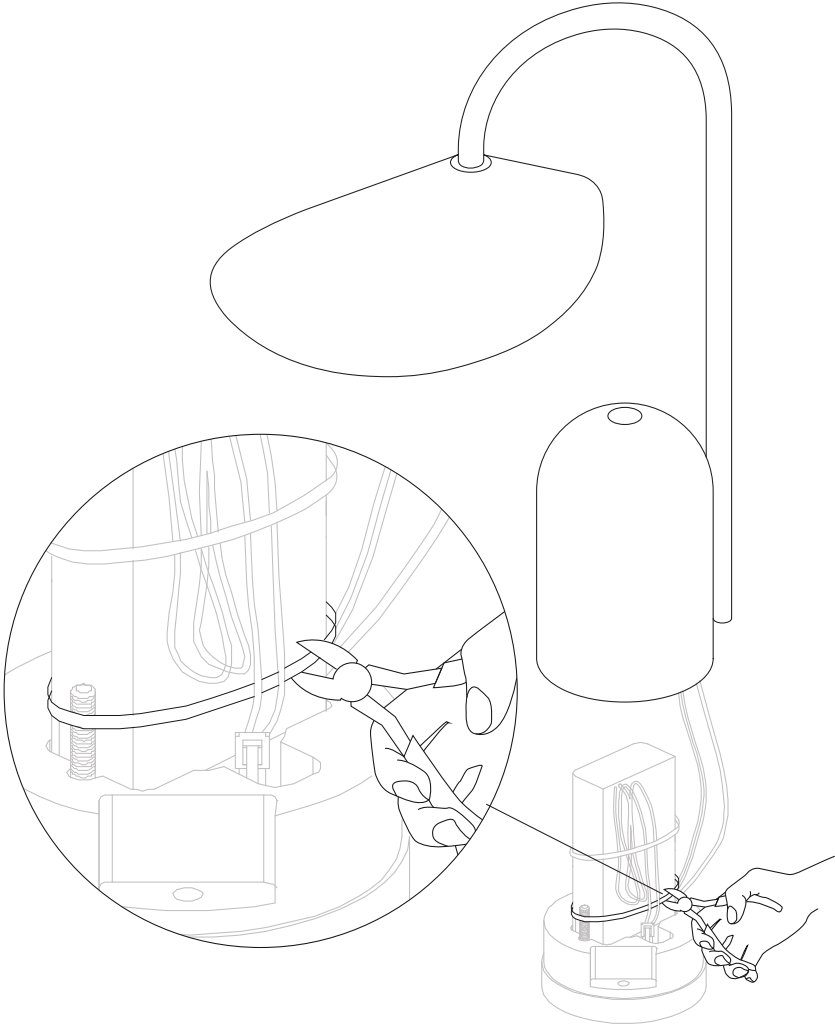
02



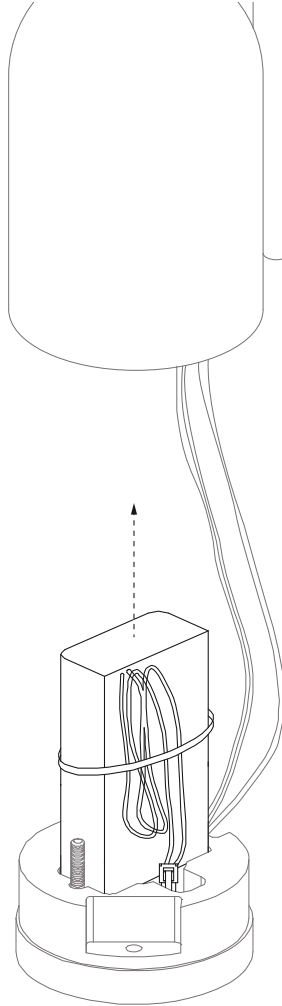
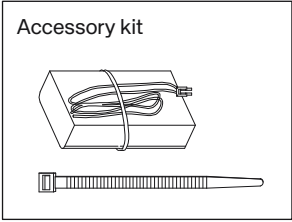
01 Battery Replacement



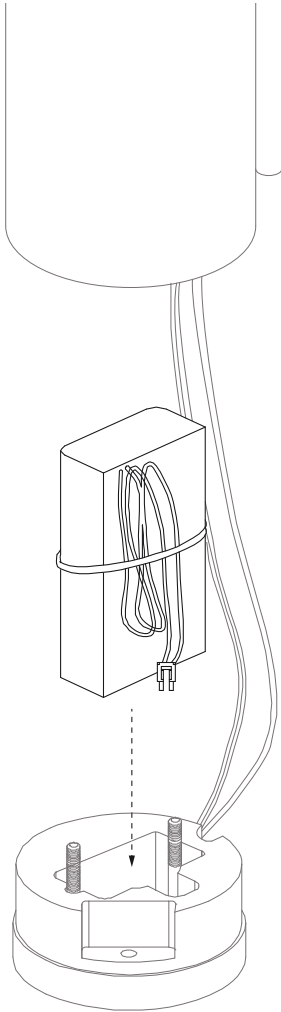
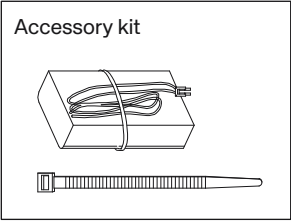
02 Battery Replacement



03 Battery Replacement

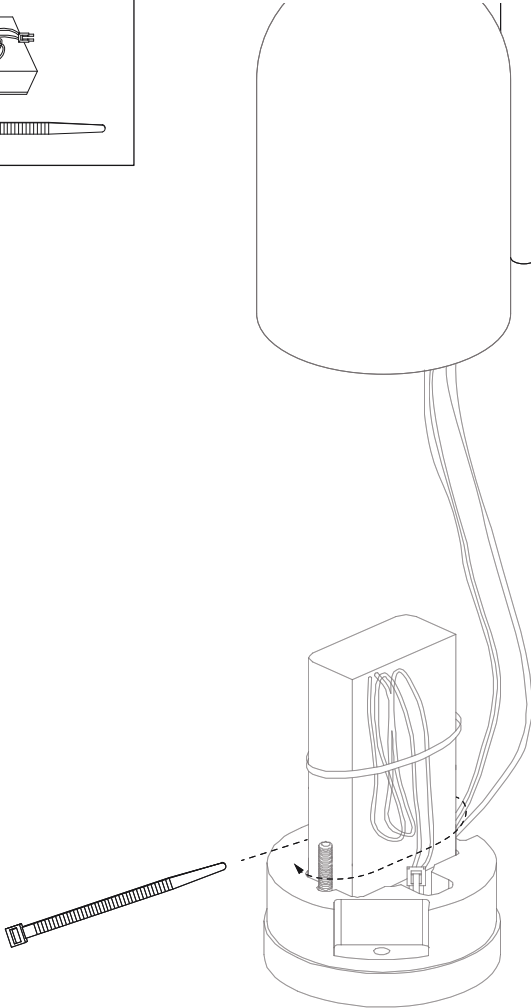
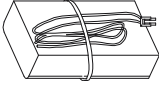


04 Battery Replacement

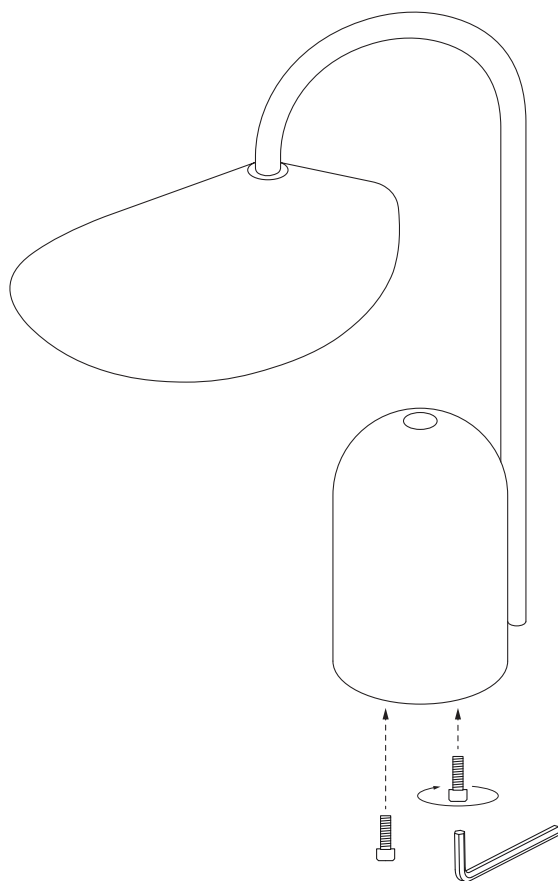


05 Battery Replacement

Accessory kit



06 Battery Replacement



Space to feel comfortably you