

# Oeste Lamp Series

Product Fact Sheet



  
FERM  
LIVING

# Oeste Table Lamp

The Oeste Table Lamp is reimagined in clear reeded glass, bringing a sense of lightness and texture to its sculptural form. The gently ribbed surface interacts with the light, casting a subtle, shifting glow. Bold yet refined, the lamp makes a striking statement whether placed on a sideboard, shelf or bedside table.



1104272136  
Clear Glass

## Information

**Size** H: 36 x Ø: 17cm /

H: 14 x Ø: 7 in

**Material** Brushed aluminium frame with diffuser, dimmer switch and reeded glass shade.

2.05 metre cable with driver

**Care** Wipe with a damp cloth

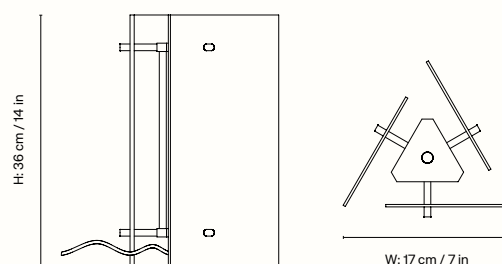
**Light source** Light source: 24V DC 50/60Hz, 14W, Class III, IP20, Replaceable LED light source, 2700K, CRI >90. Dimmable up to 155 lm with Service life 50.000 hours. LED Driver: 100-240V 50/60 Hz, class II, IP20. Only approved for sale in EU/NO/CH/UK. Registered design

**Country of origin** China

**Net. weight** 2 kg

**Packsizes** 1

## Measurements



# Oeste Table Lamp

The Oeste Table Lamp features three panels of travertine surrounding a central light source, creating a dynamic play of light and shadow. The natural texture of the stone enhances the warm, diffused light, casting a soft, architectural glow. Flat-packed for easy assembly and equipped with a dimmer function, this design blends materiality with utility and offers an atmospheric lighting solution for any space.



1104271077  
Sand

## Information

**Size** H: 36 x Ø: 18 cm /

H: 14 x Ø: 7 in

**Material** Brushed aluminium frame with diffuser, dimmer switch and travertine shade.

2.05 metre cable with driver

**Care** Wipe with a damp cloth

**Light source** Light source: 24V DC 50/60Hz, 14W, Class III, IP20, Replaceable LED light source, 2700K, CRI >90. Dimmable up to 155 lm with Service life 50.000 hours. LED Driver: 100-240V 50/60 Hz, class II, IP20. Only approved for sale in EU/NO/CH/UK. Registered design

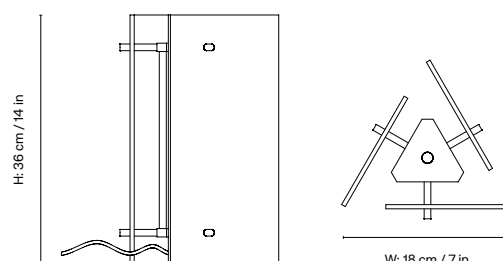
**Attention** Marble is a natural material, small variations from product to product may occur

**Country of origin** China

**Net. weight** 6 kg

**Packsizes** 1

## Measurements



# Oeste Pendant

The Oeste Pendant Lamp is reimagined in clear reeded glass, bringing a sense of lightness and texture to its sculptural silhouette. The ribbed surface subtly filters the light, creating a soft, dynamic glow that enhances the atmosphere of any room. Suspended above a dining table, kitchen island or hallway, it offers a bold focal point.



1104272133  
Clear Glass

## Information

**Size** H: 46 x Ø: 43 cm /  
H: 18 x Ø: 17 in

**Material** Brushed aluminium frame with diffuser and reeded glass shade. 4.1 metre cable and steel wire

**Care** Wipe with a damp cloth

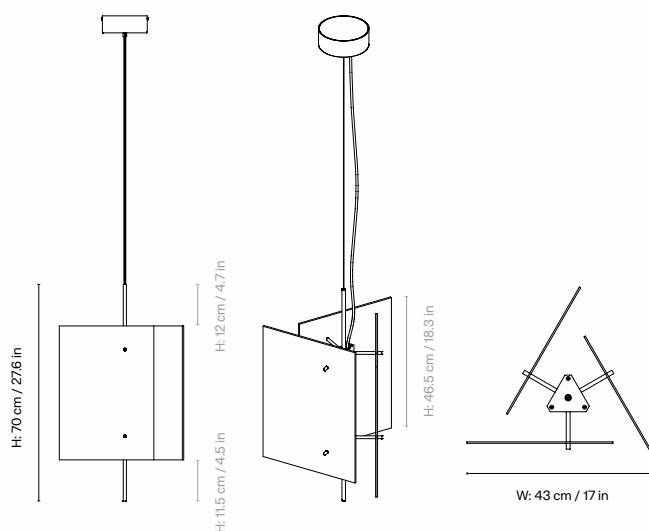
**Light source** Light source: 220-240 V, 50Hz, 17W, replaceable LED light source, 2700K, CRI >90. Triac dimmable up to 1040 lm with Service life 50.000 hours. Canopy, ceiling brackets and mounting screws are included. Only approved for sale in EU/NO/CH/UK. Registered design

**Country of origin** China

**Net. weight** 4.5 kg

**Packsize** 1

## Measurements



IP20



# Oeste Pendant

The Oeste Pendant Lamp features three panels of travertine surrounding a central light source, creating a dynamic play of light and shadow. The natural texture of the stone enhances the warm, diffused light, casting a soft, architectural glow. Flat-packed for easy assembly, this design blends materiality with function and offers an atmospheric lighting solution for any space.



1104271076  
Sand

## Information

**Size** H: 46 x Ø: 43 cm /  
H: 18 x Ø: 17 in

**Material** Brushed aluminium frame with diffuser and travertine shade. 4.1 metre cable and steel wire

**Care** Wipe with a damp cloth

**Product note** Light source: 220-240 V, 50Hz, 17W, replaceable LED light source, 2700K, CRI >90. Triac dimmable up to 1040 lm with Service life 50.000 hours. Canopy, ceiling brackets and mounting screws are included. Only approved for sale in EU/NO/CH/UK. Registered design

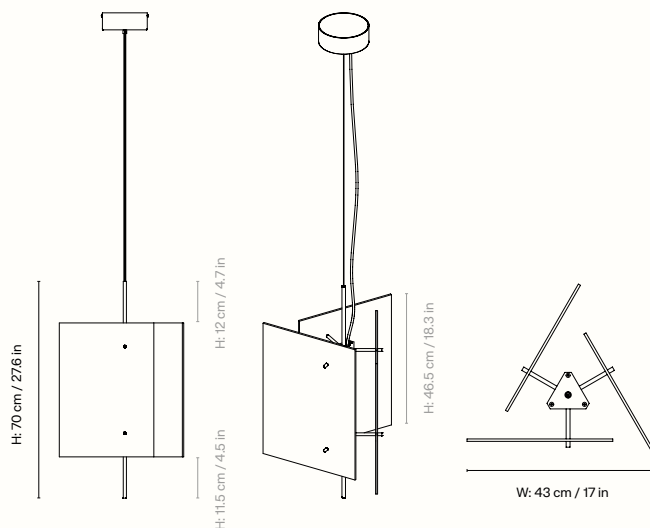
**Attention** Marble is a natural material, small variations from product to product may occur

**Country of origin** China

**Net. weight** 10.5 kg

**Packsize** 1

## Measurements



IP20



Space to feel comfortably you