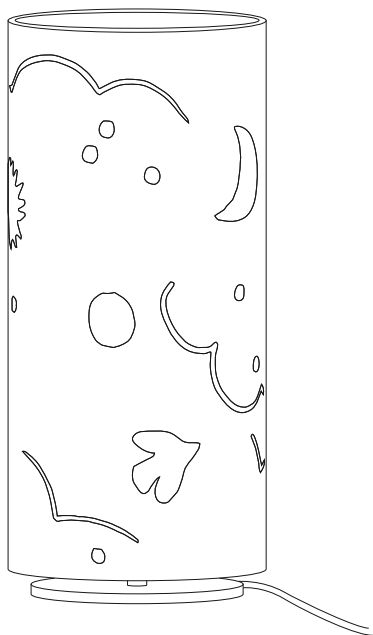


Skye Table Lamp

Assembly manual



**FERM
LIVING**

General Instructions

Please read before installation

Warning:

The safety of this product can only be guaranteed if the following instructions are observed during both installation and use. Please retain these instructions safely after installation.

- The Sky table lamp is only for indoor use.

Please observe the following guidelines:

- Ensure that the power supply has been switched off prior to installation or removal of the product.
- Never undertake an electrical installation without the proper knowledge or training.
- If not familiar with electrical wiring, contact a qualified electrician.
- The product may in no way be modified or tampered with. Any modification may compromise safety and make the product itself dangerous to use. FERM LIVING does not accept any responsibility for products that have been modified.
- This appliance should not be disposed in a domestic trash receptacle and should instead be recycled appropriately.

Cleaning instructions:

- Use only a soft cloth to clean the product. Dampen the cloth with water and soap or a mild cleanser if needed.

More information:

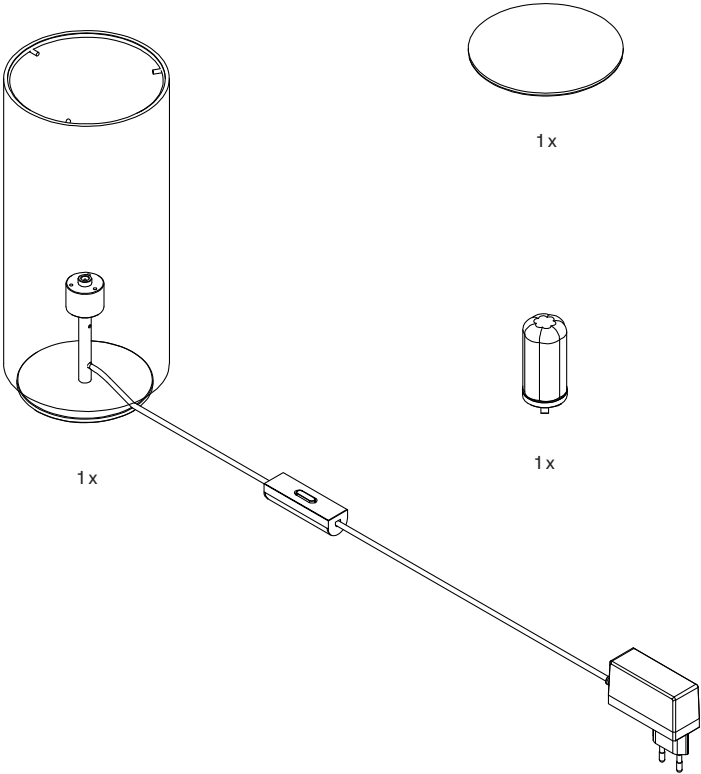
To access further information such as product overview and material descriptions, please visit our website at www.fermliving.com. If you have any questions or comments, please do not hesitate to contact us at info@fermliving.com.

Technical Specifications

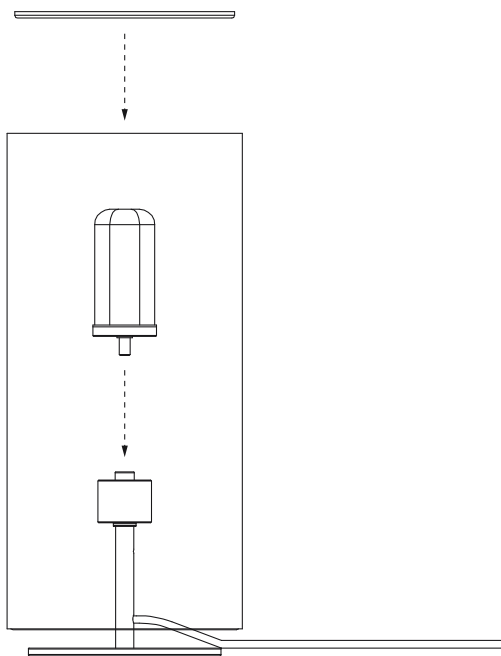
Skye Table Lamp

Dimming:	5%-100% stepless dimming
Light specification:	
Voltage:	12VDC
Wattage:	1.7W
CCT:	2500K
CRI:	>90
Lumen:	124LM
Cable & Adaptor:	
Cable:	2m white cable with stepless white cable dimmer
Adapter:	Included
Input:	200-240VAC 50/60HZ
Output:	12V1A
Certification:	CE, RoHs, IP20

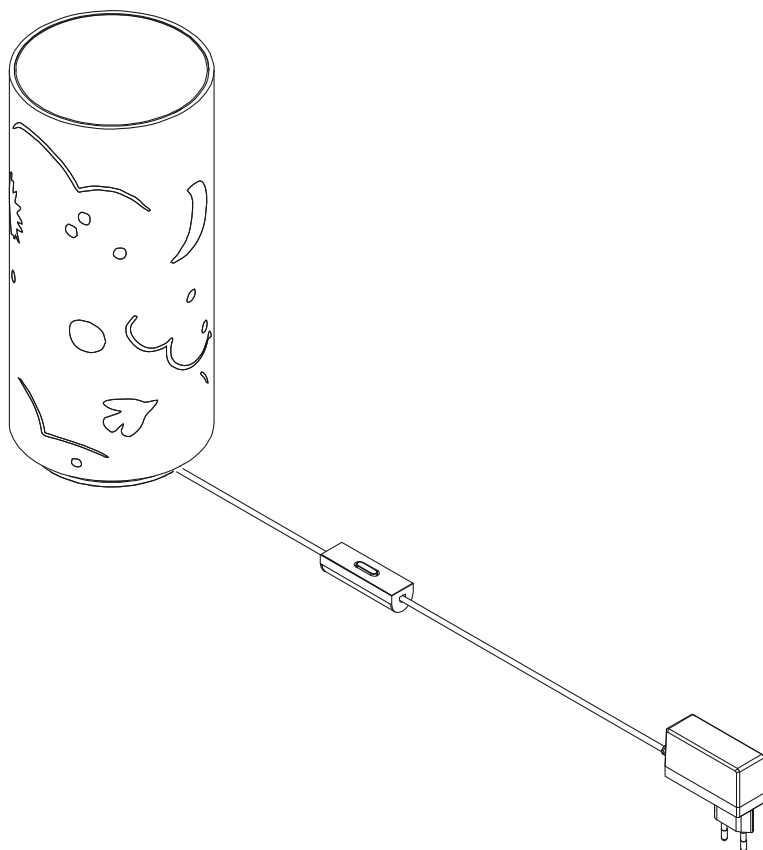
Box Content



01



02



Space to feel comfortably you