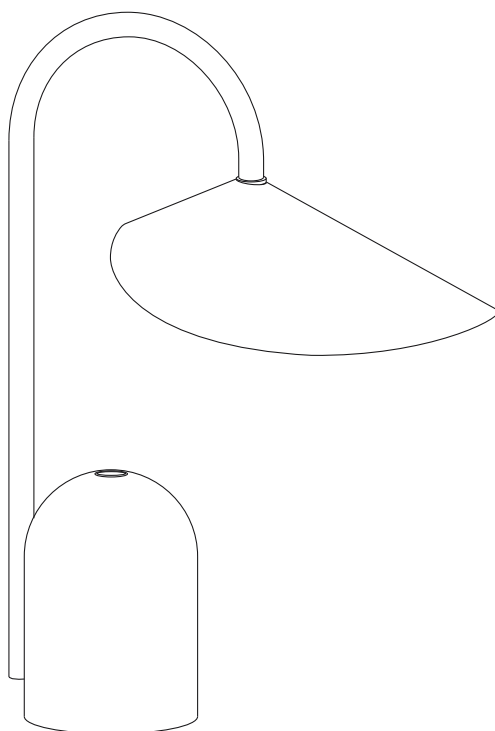


# Arum Portable Lamp

Assembly manual



**FERM  
LIVING**

# General Instructions

Please read before installation

## Warning:

The safety of this product can only be guaranteed if the following instructions are observed during both installation and use. Please retain these instructions safely after installation.

## Please observe the following guidelines:

- Ensure that the power supply has been switched off prior to installation or removal of the product.
- Never undertake an electrical installation without the proper knowledge or training. If not familiar with electrical wiring, contact a qualified electrician.
- The product may in no way be modified or tampered with. Any modification may compromise safety and make the product itself dangerous to use. FERM LIVING does not accept any responsibility for products that have been modified.
- The light source contained in this luminaire shall only be replaced by the manufacturer or his service agent or a similar qualified person.
- Please charge the battery before initial use.
- The lamp is not intended for permanent connection to the power supply. Disconnect the charger once the battery is fully charged.

## Cleaning instructions:

Use only a soft cloth to clean the product. Dampen the cloth with water and soap or a mild cleanser if needed.

## More information:

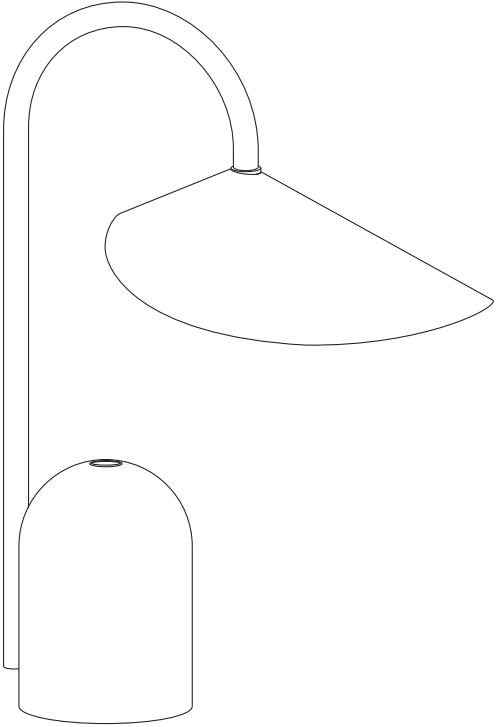
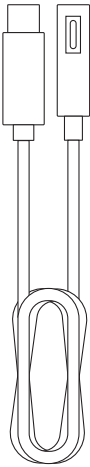
To access further information such as product overview and material descriptions, please visit our website at [www.fermliving.com](http://www.fermliving.com). If you have any questions or comments, please do not hesitate to contact us at [info@fermliving.com](mailto:info@fermliving.com).

# Technical Specifications

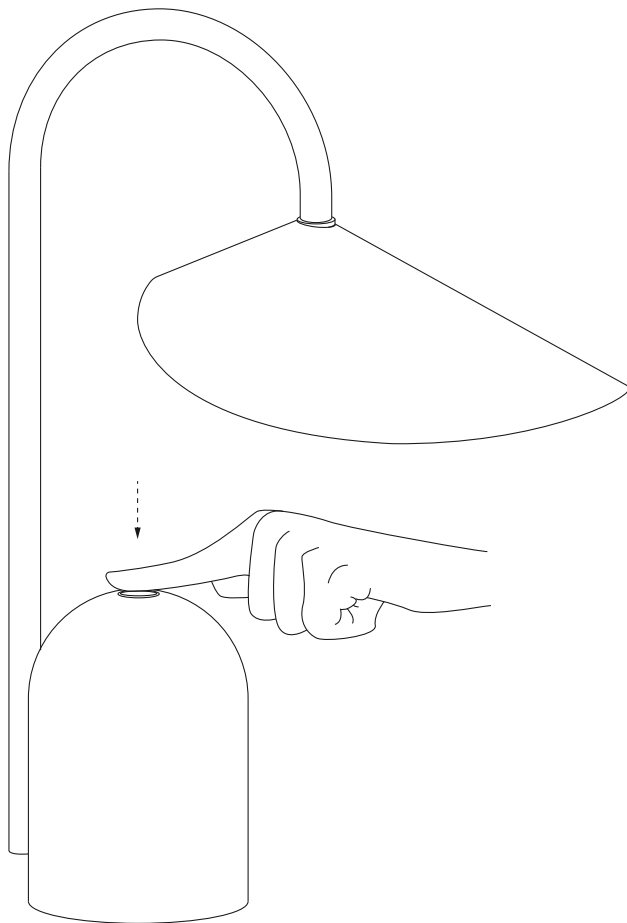
Arum Portable Lamp

<b>Voltage:</b>	100-240V - 50/60Hz
<b>Dimmable:</b>	3W, 3 steps touch dimmer
<b>Light specification:</b>	2700K warm white, CRI >90, 350lm
<b>Battery Capacity:</b>	3.7V, 4400mAh
	Charging Time: 6-8 hours. Discharging Time: 8-24 hours
<b>Replaceable Battery:</b>	Must be purchased from Ferm Living
<b>Cable:</b>	1.8 m USB cable type C
<b>Certification:</b>	IP44, Class III, CE, UKCA, CB, RoHs
<b>Needed adapter specification:</b>	100 - 240V, 5V DC/1A output. Adapter not included
<b>Recommended light source:</b>	Non removable dimmable LED

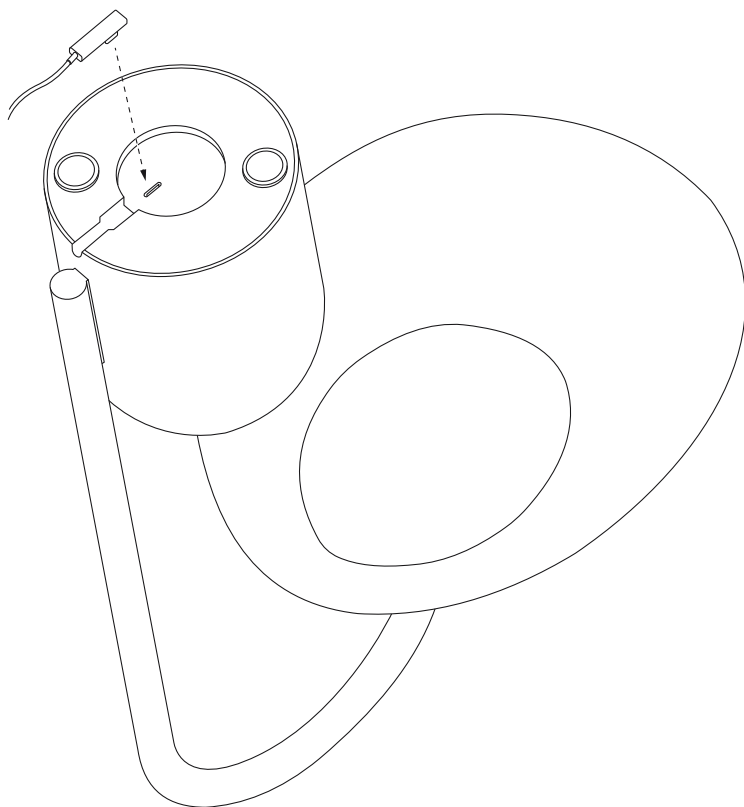
# Box Content



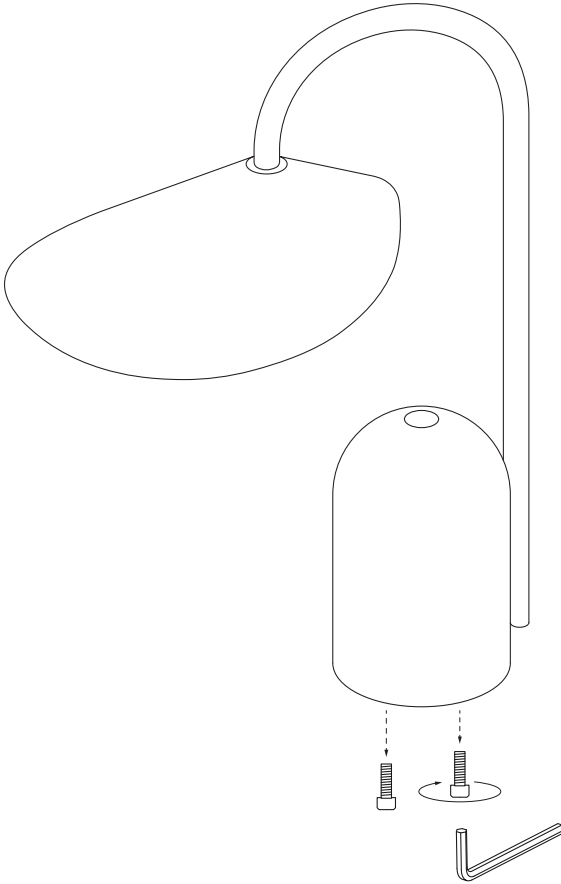
# 01



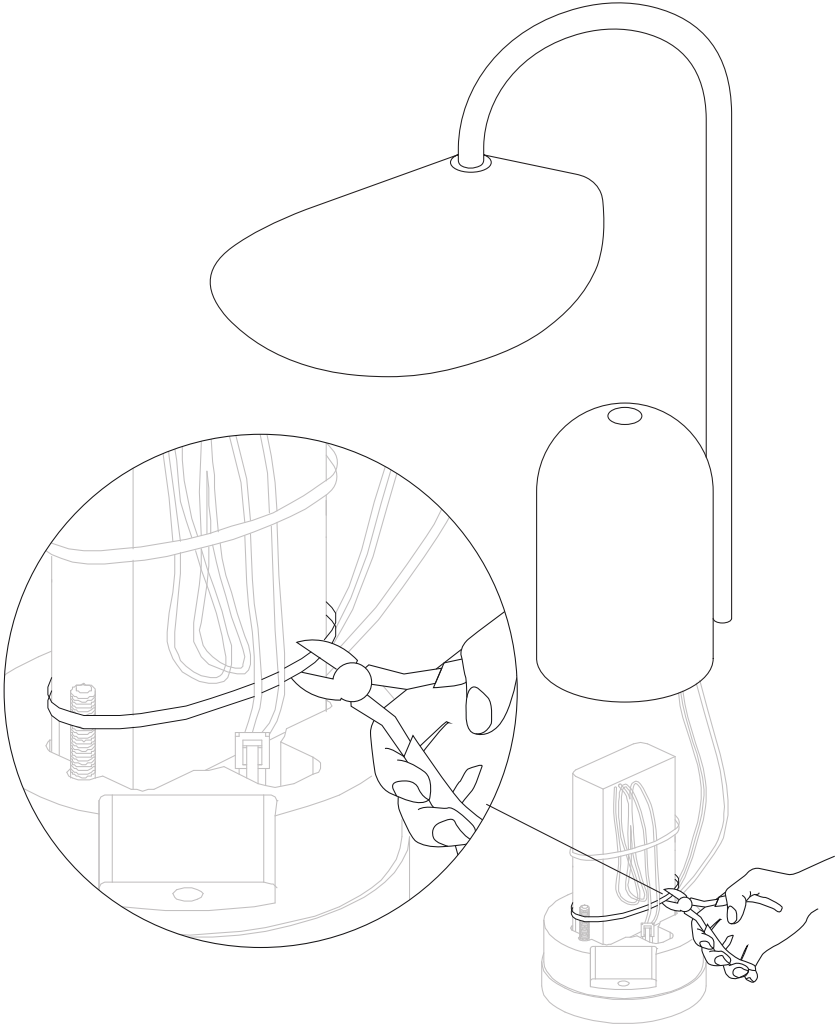
# 02



# 01 Battery Replacement

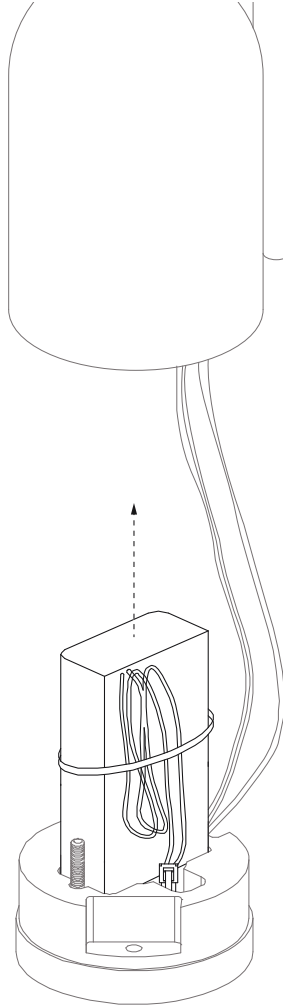


# 02 Battery Replacement

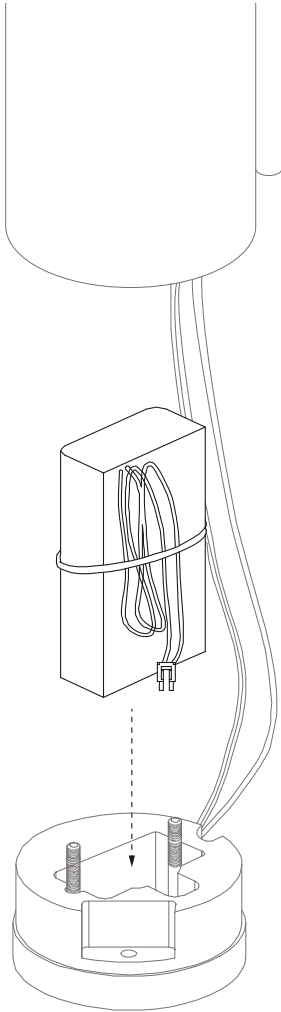
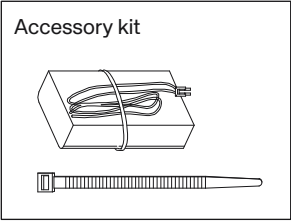


# 03 Battery Replacement

Accessory kit

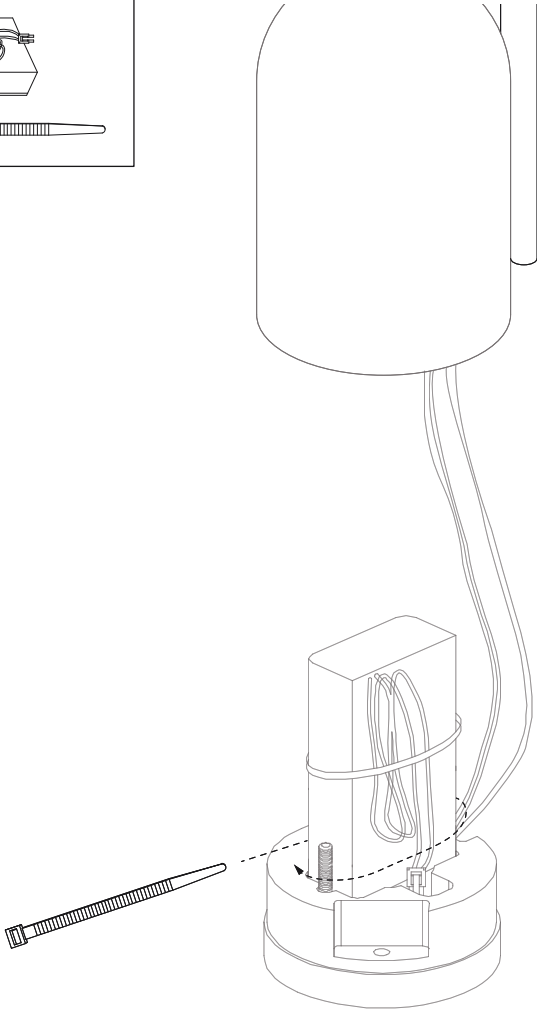


# 04 Battery Replacement

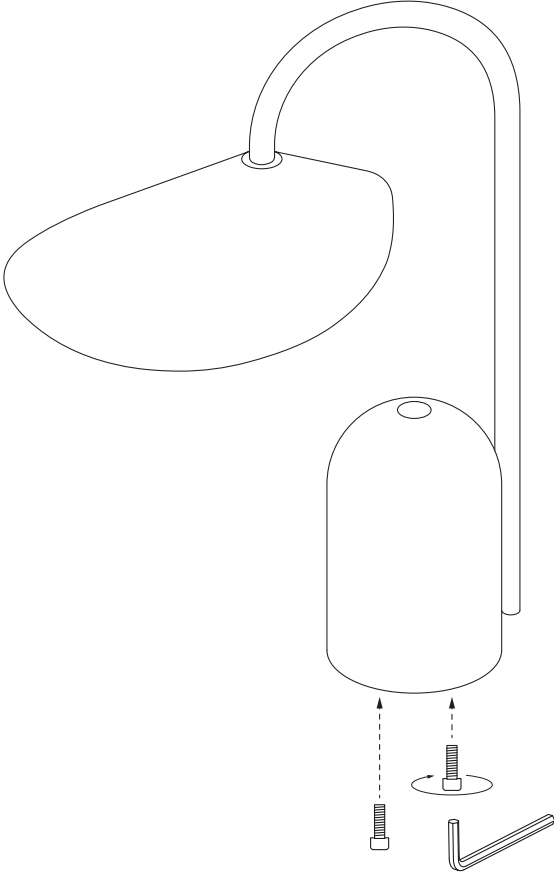


# 05 Battery Replacement

Accessory kit



# 06 Battery Replacement



Space to feel comfortably you